



AMERICAN ENGINEERING GROUP

PRODUCT DEVELOPMENT PROJECTS

-Abraham Pannikottu
Operations Manager



ISO 9001:2015

AMERICAN ENGINEERING GROUP

Innovation: Patent (AEG IP)

AEG, through its founders, holds numerous utility and design patents pending by the United States Patent Office. Following are some examples:

- Torsional Damper
- Three Piece Golf Ball
- Bi-polar plate for Fuel Cell
- Fuel cell dual seal
- Polyurethane solid tires
- Tire Performance, Durability
& Quality Prediction
- Flexible Personal Armor
- Dual Damper
- Carbon Fiber Tires
- Posture Perfect Backpack
- Carbon Fiber Knee Brace

AMERICAN ENGINEERING GROUP

AEG Defense Engineering Products & Services

Composite Product Experience

- Flexible Armor appliqué (recent project with defense)
- Composite Vehicle Armor
- Composite Military Shelter
- Honeycomb Aircraft Wing
- Carbon Fiber Tires(run flat with wireless monitoring system)
- Wireless sensors system for health monitoring of vehicle systems (on-board system)
- for sensing -pressure, acceleration, temperature and deflection

Component Prototyping

- Prototype development: Metal, Rubber, Composites and Plastics
- FMEA and testing

AEG Defense Engineering Products & Services (contd..)

Computer Simulation and Analysis

- Solid Modeling
- Analysis Capabilities (FEA, CFD and NVH)

Product Manufacturing Experience

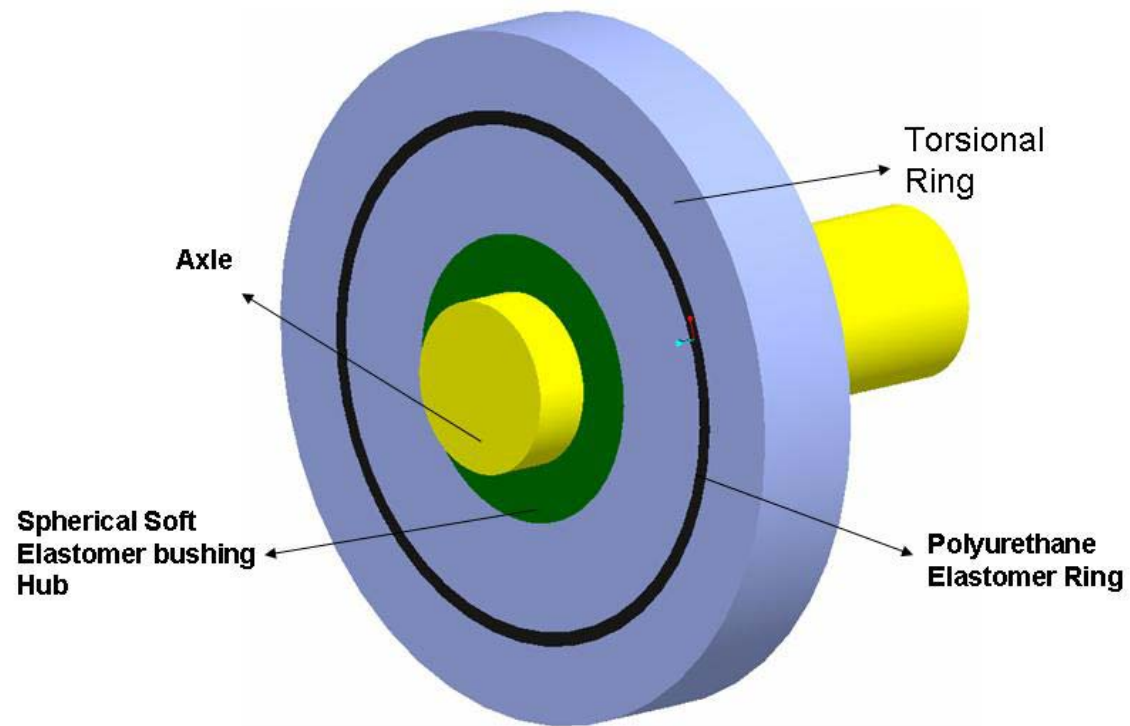
- Manufacturing capability in Metal, Rubber, Plastic and composite components

Posture Perfect Back Pack Insert



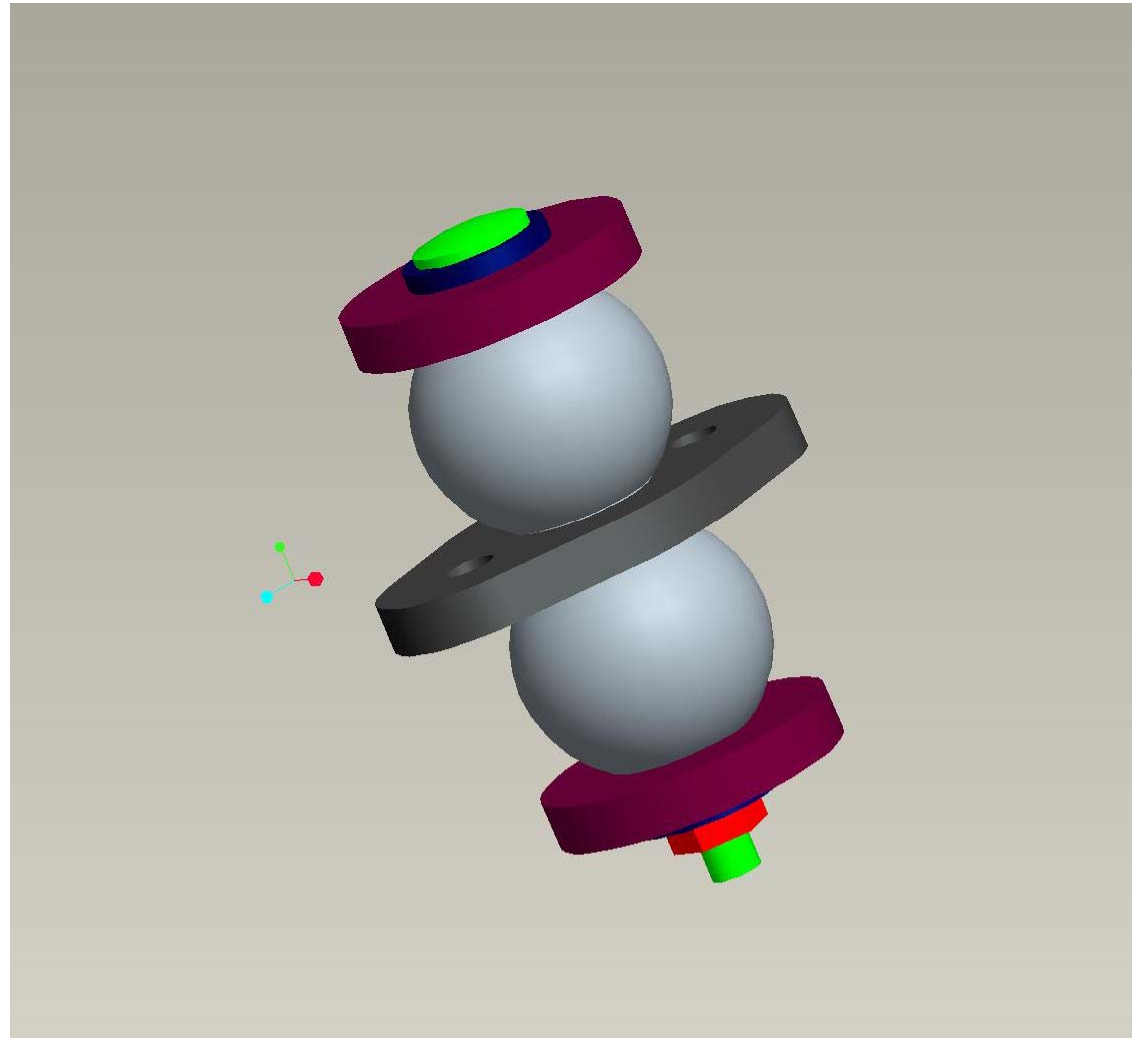
Note: Received 6 awards including awards from the Cleveland Clinic Lerner Research Institute and the Cleveland Clinic Department of Biomedical Engineering

Dual Elastomer Torsional Damper System

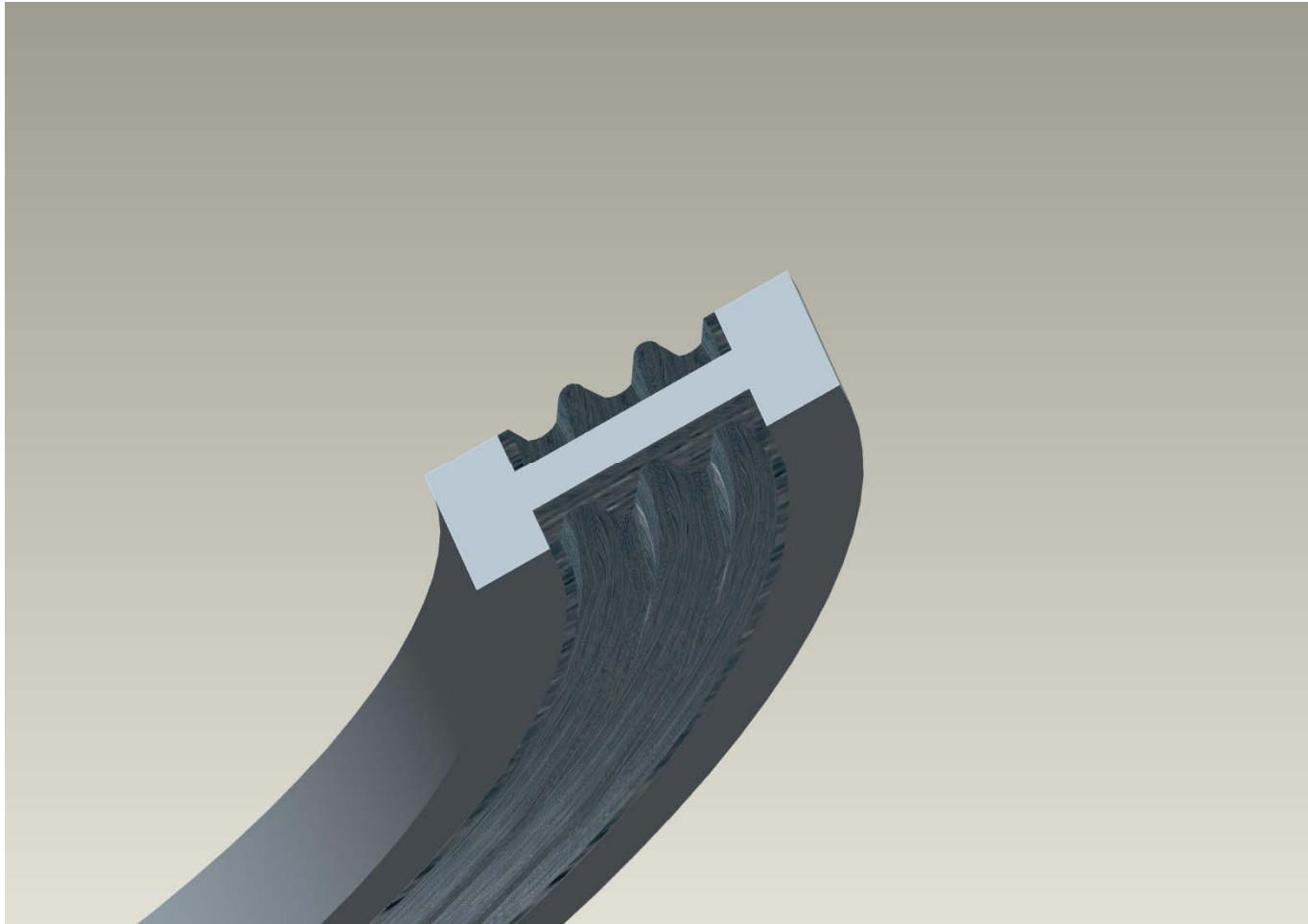


AMERICAN ENGINEERING GROUP

Shock and Vibration Mounting System



Fuel Cell Nanocomposite Double Lip Seal



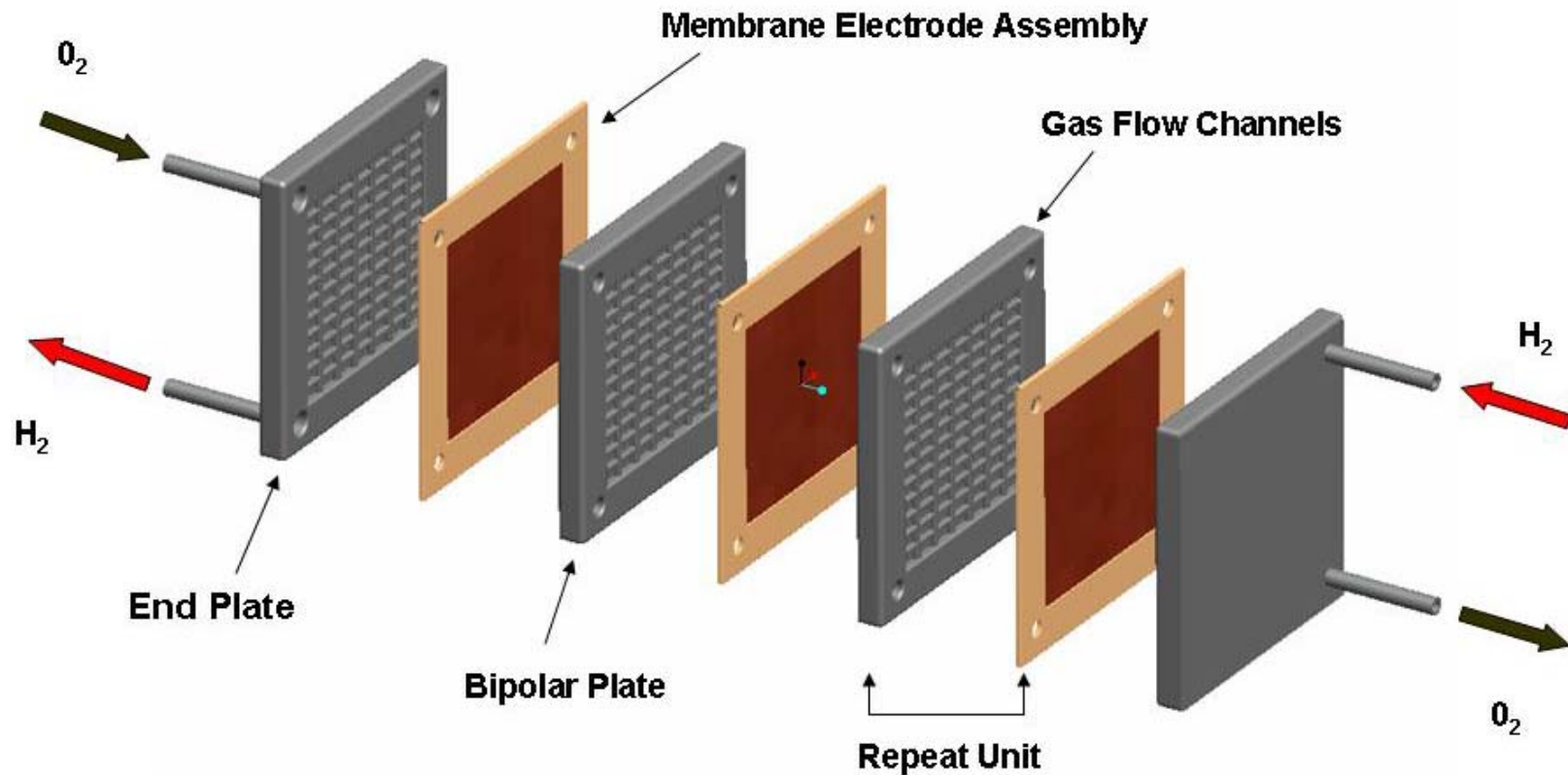
Carbon Fiber-Polyurethane Solid Tire



Note: Published in Tire Asia, Edition: Feb/Mar 2009, Pg 56

AMERICAN ENGINEERING GROUP

Carbon Fiber-Elastomer Composite Bipolar Plate for PEM Fuel Cells



Note: AEG has been awarded SAE 2008 tech award for this innovative Concept

AMERICAN ENGINEERING GROUP

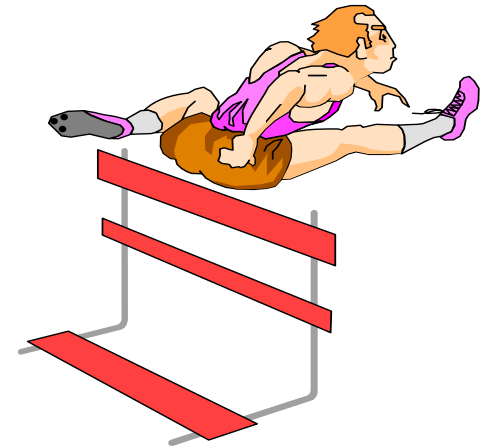
- See our Technical briefs for more information about the above products

www.engineering-group.com/technical_briefs.php

Thank you

- Product Development
 - Failure Analysis
- Finite Element Analysis
 - Prototyping

ISO 9001:2015



“Progress through continuous innovation, technology and customer success”